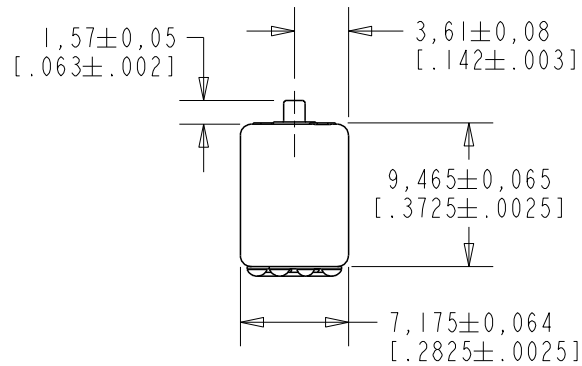


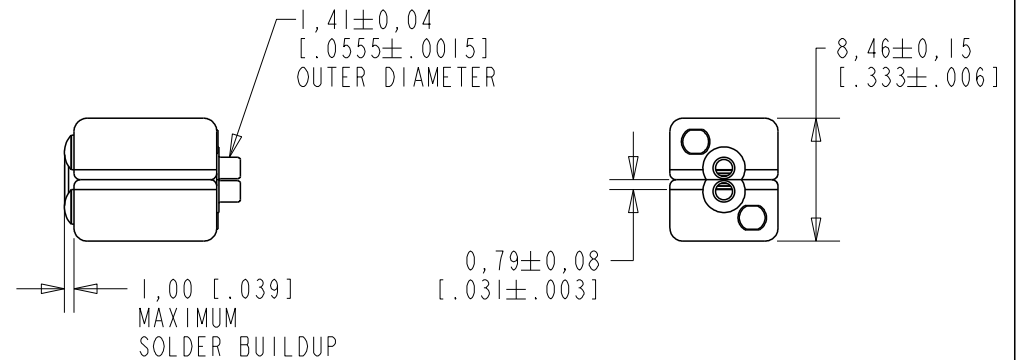
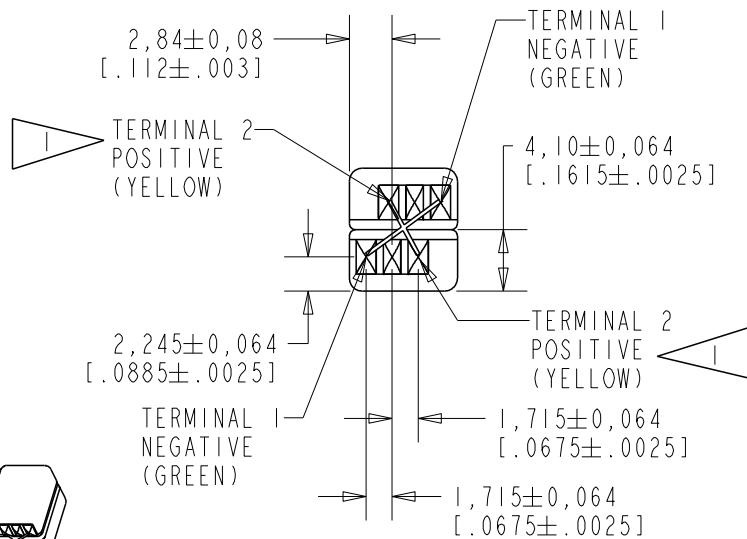
CJ-30029-000

SHT 1.1



NOTES:

1 A POSITIVE GOING VOLTAGE AT TERMINAL 2, RELATIVE TO TERMINAL 1, CAUSES A DECREASE IN PRESSURE AT THE SOUND OUTLET.



SCALE 1:1
NOMINAL WEIGHT
2.0 GRAMS

DIMENSIONS IN MILLIMETERS [INCHES]

KNOWLES CORPORATION

Revision	C.O. #	Implementation Date	RELEASE LEVEL	REVISION
E	PI0000945	10-25-16	Active	E
D	CI0110068	7-23-09		

SCALE: 2:1		DR. BY: SDZ	DATE: 10-11-06
DO NOT SCALE DRAWING			
TITLE: RECEIVER		CJ-30029-000	
OUTLINE DRAWING		SHT 1.1	
		CK. BY: GJP	DATE: 10-11-06
		APP. BY: GJP	DATE: 10-11-06

NOTES:

1. UNITS ARE TESTED AS INDIVIDUAL RECEIVERS. FOR THESE SPECIFICATIONS SEE CI-30840-000, SHEET 2.1.
2. DCR @ 80°C = $10\Omega \pm 20\%$.

Revision	C.O. #	Implementation Date	RELEASE LEVEL	REVISION
E	PI0000945	10-25-16	Active	E
D	CI0110068	7-23-09		
WHEN TEST LIMITS ARE USED TO ESTABLISH INCOMING INSPECTION ACCEPTANCE/REJECTION CRITERIA, CORRELATION OF TEST EQUIPMENT WITH KNOWLES IS ALSO REQUIRED FOR ELIMINATION OF EQUIPMENT AND TEST METHOD VARIATION			DR. BY	DATE
TITLE: RECEIVER PERFORMANCE SPECIFICATION			SDZ	10-11-06
			CK. BY	DATE
			GJP	10-11-06
			APP. BY	DATE
			GJP	10-11-06

KNOWLES CORPORATION

CJ-30029-000

SHT 2.1